

NELSON™ HEAT TRACING SYSTEMS SPECIFICATION / APPLICATION

TH7325 THERMOSTAT

DESCRIPTION



These thermostats are used for controlling heat tracing systems in hazardous locations. The capillary bulb should be mounted on the side of the pipe.

ENCLOSURE

Cast Aluminum

CLASSIFICATIONS

NEMA Type 4, 7, 9 IP66

TEMPERATURE RANGE

Range
-4 to 163°C (25 to 325°F)

CAPILLARY

Length	Material	Max. Bulb Temperature
3m (10ft.)	Stainless Steel	215°C (420°F)

ELECTRICAL DATA

CSA Rating	UL Rating
22 amp resistance 480VAC	22 amp resistance 480VAC

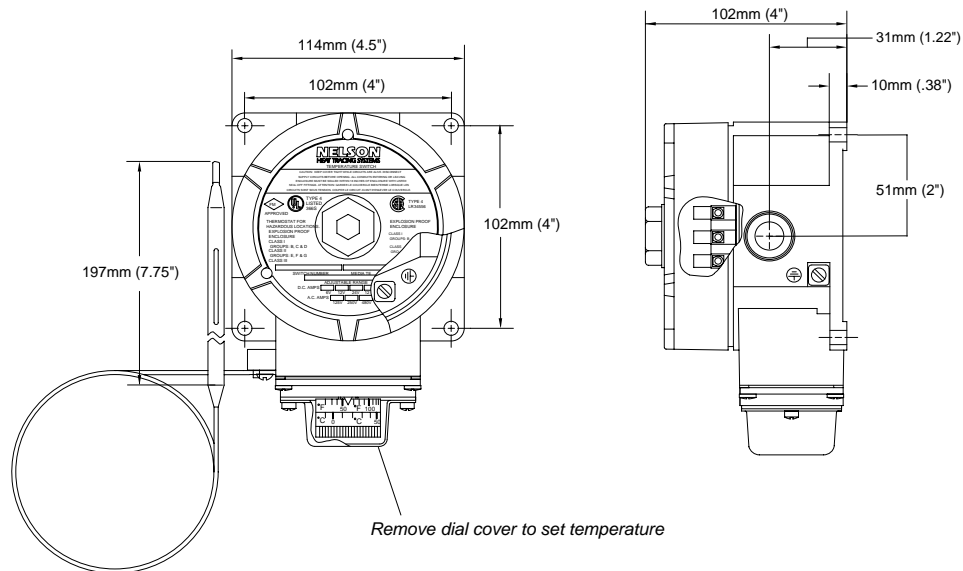
CALIBRATION ACCURACY

1.6°C (3°F)

SWITCH TYPE

Single Pole Double Throw

OUTLINE



Annual Maintenance:

1. Remove cover.
2. Spray a coat of lubricant and rust preventative such as CRC Stor & Lube, electrical grade, on the thermostat body.
3. Replace cover.

Approvals:

Hazardous Locations

- | | | |
|------|---|---------------|
| UL | - Class I & II, Groups B, C, D, E, F, G | - E53121 |
| FM | - Class I & II, Groups B, C, D, E, F, G | - 1ZIA0.AE |
| | - Class I, Zone 1, AEx d IIB+H ₂ | |
| CSA | - Class I & II, Groups B, C, D, E, F, G | - LR701950 |
| | - CIII, Encl. Type 4 | |
| | - Class I, Zone 1, Ex d IIB+H ₂ | |
| LCIE | - II 2 G EEx d IIC T6 | - 2 ATEX 6026 |