



1225 Isley Road, Gastonia, NC
28052
Phone: 800-634-7704 Fax:
800-253-6634

65 Series Kingpinless™ Casters

Heavy Duty Kingpinless™ Casters

RAPIDSTOCK

RWM Casters 65 Series industrial casters feature the original and time tested patented Kingpinless™ caster design. RWM patented this design that has proven to be the best solution for demanding applications such as automotive towlines, assembly lines and various heavy duty industrial applications. This is the Kingpinless™ caster design that all others are copying because it is simply unmatched in extending service life and reducing all possible causes for caster failure.

The 65 Series kingpinless caster is recommended for a wide range of industrial caster applications. Our 65 Series industrial casters are proudly made in the USA. Log in below to download free 2D or 3D CAD drawings & models of this caster. If our standard product line doesn't meet your specifications, give us a call. Custom caster design and production of custom casters for application specific standards is our specialty!



65-UAB-0821-S



65-GTB-0820-S

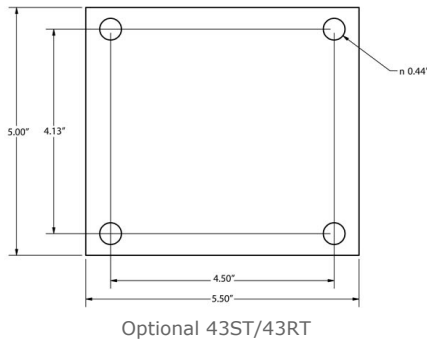
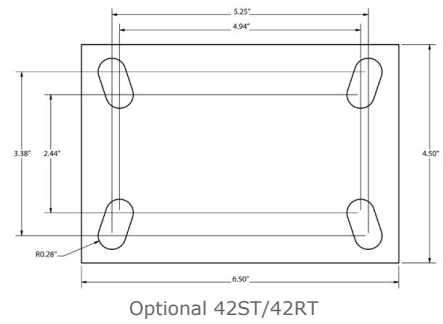
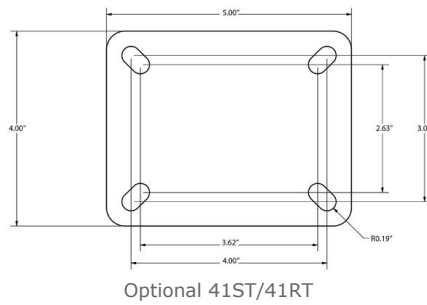
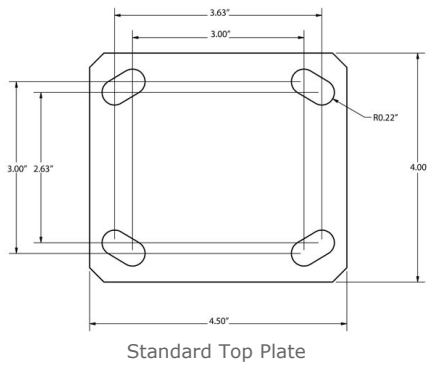


65-GTB-0820-S-ICWB



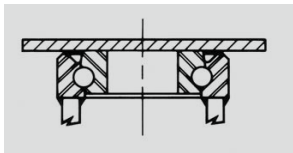
65-SWB-0620-R

Top Plates

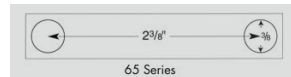


Swivel Sections and Cross Sections

KINGPINLESS™ CASTER SWIVEL SECTION



Raceway Diameter



Features

Raceway Design: Patented Kingpinless™ single ball bearing precision machined raceway hardened to 53 Rockwell C. minimum. Swivel section features a 2-3/8" diameter raceway with 3/8" ball bearings.

Capacity: 2,000 lbs.

Leg Thickness: 1/4" formed steel

Axle: 1/2" bolt and lock nut drilled with lube fitting

Finish: Zinc plated to protect against corrosion

Wheels: Wheels are available with a straight roller bearing which rotates on a hardened and ground spanner bushing, an annular ball bearing for ease of rollability or a celcon bearing

Mounting Plate Size: 4" x 4-1/2" x 1/4"

Bolt Hole Spacing: 2-5/8" x 3-5/8", slotted to 3" x 3"

Mounting Bolt Diameter: 3/8"

Swivel Sections: All swivel sections are supplied with a lubrication fitting for field maintenance.

Applications

The 65 Series heavy duty Kingpinless™ Casters are used in the following:

- Aircraft Maintenance and Support Applications
- Towing applications
- Automotive Assembly Lines
- Heavy Duty Industrial Applications
- Manufacturing Applications
- NSF available

Options

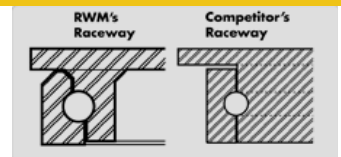
- DSL** Demountable Swivel Lock
SL Swivel Lock
FOSL Foot Operated Swivel Lock
TG Thread Guards
WB Steel Side Brake (Roller Bearing Only)
WWB Wrap Around Brake (Roller Bearing Only, 5" and larger sizes)
ICWB Installable Face Contact Brake
HT High Temperature Lubrication
LT Low Temperature Lubrication
SR Sealed Swivel Raceway
WS Wheel Seals
HTP High Temperature Paint
LS Locking Stem
FIFG Field Installable Foot Guard
FG Foot Guard
CWB Cam Wheel Brake
LP Locking Plate – Total Lock for 8" Casters Only

Benefits of Kingpinless™ Raceway

Our patented offset precision-machined raceway exerts radial force evenly where there is full contact between the ball bearing and the raceway. RWM's unique design adds more mass at key points. This, plus more thorough heat treatment, provides additional strength and combats brinelling into the core material.

The Result:

- No direct "hammering" forces on the intersections of the raceways
- Vastly reduced raceway wear
- Elimination of the "pull apart" forces of stress in the swivel section
- Smoother swiveling action
- High maneuverability
- Longer service life
- Less maintenance
- Extra impact resistance
- High radial force absorption



Specifications

Wheel Diameter	Wheel Width	Wheel Type	lbs. Capacity	Overall Height	Caged, Straight Roller Bearing	Flanged, Sealed Precision, 1pc. Ball Bearing	Plain, Oilite, Celcon Bearing	Swivel Lead	Approx Weight
4"	1-1/2"	Forged Steel	1400	5-5/8"	65- FSR -0415-S		65- FSC -0415-S	1-3/16"	9.0
4"	2"	Cast Iron	800	5-5/8"	65- CIR -0420-S	65- CIB -0420-S	65- CIC -0420-S	1-3/16"	10.0
4"	2"	Durastan	800	5-5/8"	65- DUR -0420-S	65- DUB -0420-S	65- DUC -0420-S	1-3/16"	8.0
4"	2"	GT	1050	5-5/8"		65- GTB -0420-S		1-3/16"	8.0
4"	2"	High Temp. Nylon	800	5-5/8"	65- HNR -0420-S			1-3/16"	8.0
4"	2"	Nylatron HD	2000	5-5/8"		65- NYB -0420-S		1-3/16"	8.5

4"	2"	Performance TPR	350	5-5/8"	65- RPR -0420-S	65- RPB -0420-S	65- RPC -0420-S	1-3/16"	7.3
4"	2"	Pinnacle	800	5-5/8"	65- PNR -0420-S	65- PNB -0420-S	65- PNC -0420-S	1-3/16"	8.0
4"	2"	Polyolefin	500	5-5/8"	65- POR -0420-S	65- POB -0420-S	65- POC -0420-S	1-3/16"	7.6
4"	2"	Rubber on Aluminum	700	5-5/8"		65- RAB -0420-S-EHT		1-3/16"	8.0
4"	2"	Rubber on Iron	350	5-5/8"	65- RIR -0420-S		65- RIC -0420-S	1-3/16"	8.0
4"	2"	Signature	400	5-5/8"	65- SWR -0420-S	65- SWB -0420-S	65- SWC -0420-S	1-3/16"	7.0
4"	2"	Solid Urethane	700	5-5/8"		65- MUB -0420-S		1-3/16"	7.0
4"	2"	Urethane on Aluminum	700	5-5/8"	65- UAR -0420-S		65- UAC -0420-S	1-3/16"	7.5
4"	2"	Urethane on Iron	700	5-5/8"	65- UIR -0420-S		65- UIC -0420-S	1-3/16"	8.0
4"	2"	Urethane Polypropylene	600	5-5/8"	65- UPR -0420-S	65- UPB -0420-S	65- UPC -0420-S	1-3/16"	7.3
4"	2"	V-Groove Iron	800	5-5/8"	65- VIR -0420-S		65- VIC -0420-S	1-3/16"	10.0
5"	2"	Cast Iron	1000	6-1/2"	65- CIR -0520-S	65- CIB -0520-S	65- CIC -0520-S	1-3/8"	12.0
5"	2"	Durastan	1000	6-1/2"	65- DUR -0520-S	65- DUB -0520-S	65- DUC -0520-S	1-3/8"	9.0
5"	2"	Forged Steel	1500	6-1/2"	65- FSR -0520-S		65- FSC -0520-S	1-3/8"	12.0
5"	2"	GT	1200	6-1/2"		65- GTB -0520-S		1-3/8"	9.0
5"	2"	High Temp. Nylon	1000	6-1/2"	65- HNR -0520-S			1-3/8"	9.0
5"	2"	Nylatron HD	2000	6-1/2"		65- NYB -0520-S		1-3/8"	9.5
5"	2"	Performance TPR	375	6-1/2"	65- RPR -0520-S	65- RPB -0520-S	65- RPC -0520-S	1-3/8"	7.3
5"	2"	Pinnacle	1000	6-1/2"	65- PNR -0520-S	65- PNB -0520-S	65- PNC -0520-S	1-3/8"	9.0
5"	2"	Polyolefin	650	6-1/2"	65- POR -0520-S	65- POB -0520-S	65- POC -0520-S	1-3/8"	8.7
5"	2"	Rubber on Aluminum	800	6-1/2"		65- RAB -0520-S-EHT		1-3/8"	8.6
5"	2"	Rubber on Iron	400	6-1/2"	65- RIR -0520-S		65- RIC -0520-S	1-3/8"	9.0
5"	2"	Signature	500	6-1/2"	65- SWR -0520-S	65- SWB -0520-S	65- SWC -0520-S	1-3/8"	7.6
5"	2"	Solid Urethane	1000	6-1/2"		65- MUB -0520-S		1-3/8"	7.6
5"	2"	Urethane on Aluminum	1050	6-1/2"	65- UAR -0520-S		65- UAC -0520-S	1-3/8"	8.5
5"	2"	Urethane on Iron	1050	6-1/2"	65- UIR -0520-S		65- UIC -0520-S	1-3/8"	9.0
5"	2"	Urethane Polypropylene	750	6-1/2"	65- UPR -0520-S	65- UPB -0520-S	65- UPC -0520-S	1-3/8"	7.3
5"	2"	V-Groove Iron	800	6-1/2"	65- VIR -0520-S		65- VIC -0520-S	1-3/8"	12.0
6"	2"	Cast Iron	1200	7-1/2"	65- CIR -0620-S	65- CIB -0620-S	65- CIC -0620-S	1-9/16"	13.0
6"	2"	Durastan	1200	7-1/2"	65- DUR -0620-S	65- DUB -0620-S	65- DUC -0620-S	1-9/16"	10.0
6"	2"	Forged Steel	1800	7-1/2"	65- FSR -0620-S		65- FSC -0620-S	1-9/16"	13.0
6"	2"	GT	1500	7-1/2"		65- GTB -0620-S		1-9/16"	10.0
6"	2"	High Temp. Nylon	1200	7-1/2"	65- HNR -0620-S			1-9/16"	10.0
6"	2"	Nylatron HD	2000	7-1/2"		65- NYB -0620-S		1-9/16"	11.0
6"	2"	Omega	1000	7-1/2"	65- UOR -0620-S	65- UOB -0620-S	65- UOC -0620-S	1-9/16"	12.0
6"	2"	Performance TPR	525	7-1/2"	65- RPR -0620-S	65- RPB -0620-S	65- RPC -0620-S	1-9/16"	7.7
6"	2"	Pinnacle	1200	7-1/2"	65- PNR -0620-S	65- PNB -0620-S	65- PNC -0620-S	1-9/16"	10.0
6"	2"	Polyolefin	700	7-1/2"	65- POR -0620-S	65- POB -0620-S	65- POC -0620-S	1-9/16"	8.7
6"	2"	Rubber on Aluminum	820	7-1/2"		65- RAB -0620-S-EHT		1-9/16"	10.0
6"	2"	Rubber on Iron	410	7-1/2"	65- RIR -0620-S		65- RIC -0620-S	1-9/16"	10.0
6"	2"	Signature	600	7-1/2"	65- SWR -0620-S	65- SWB -0620-S	65- SWC -0620-S	1-9/16"	9.0
6"	2"	Solid Urethane	1200	7-1/2"		65- MUB -0620-S		1-9/16"	9.0
6"	2"	Urethane on Aluminum	1230	7-1/2"	65- UAR -0620-S		65- UAC -0620-S	1-9/16"	11.0
6"	2"	Urethane on Iron	1230	7-1/2"	65- UIR -0620-S		65- UIC -0620-S	1-9/16"	12.0
6"	2"	Urethane Polypropylene	900	7-1/2"	65- UPR -0620-S	65- UPB -0620-S	65- UPC -0620-S	1-9/16"	7.7
6"	2"	Torus	1230	7-1/2"		65- UAB -0621-S		1-9/16"	11.0
6"	2"	V-Groove Iron	1000	7-1/2"	65- VIR -0620-S		65- VIC -0620-S	1-9/16"	13.0
8"	2"	Cast Iron	1400	10-1/8"	65- CIR -0820-S	65- CIB -0820-S	65- CIC -0820-S	2 -1/4"	16.0
8"	2"	Durastan	1400	10-1/8"	65- DUR -0820-S	65- DUB -0820-S	65- DUC -0820-S	2 -1/4"	11.0
8"	2"	GT	1800	10-1/8"		65- GTB -0820-S		2 -1/4"	11.0
8"	2"	Nylatron HD	2000	10-1/8"		65- NYB -0820-S		2 -1/4"	12.0
8"	2"	Performance TPR	600	10-1/8"	65- RPR -0820-S	65- RPB -0820-S	65- RPC -0820-S	2 -1/4"	9.1
8"	2"	Pinnacle	1400	10-1/8"	65- PNR -0820-S	65- PNB -0820-S	65- PNC -0820-S	2 -1/4"	11.0
8"	2"	Omega	1200	10-1/8"	65- UOR -0820-S	65- UOB -0820-S		2 -1/4"	13.0
8"	2"	Polyolefin	800	10-1/8"	65- POR -0820-S	65- POB -0820-S	65- POC -0820-S	2 -1/4"	9.1

8"	2"	Rubber on Aluminum	1000	10-1/8"		65- RAB -0820-S-EHT		2 -1/4"	11.0
8"	2"	Rubber on Iron	500	10-1/8"	65- RIR -0820-S		65- RIC -0820-S	2 -1/4"	11.0
8"	2"	Signature	700	10-1/8"	65- SWR -0820-S	65- SWB -0820-S	65- SWC -0820-S	2 -1/4"	10.0
8"	2"	Solid Urethane	1500	10-1/8"		65- MUB -0820-S		2 -1/4"	10.0
8"	2"	Urethane on Aluminum	1500	10-1/8"	65- UAR -0820-S		65- UAC -0820-S	2 -1/4"	12.0
8"	2"	Urethane on Iron	1500	10-1/8"	65- UIR -0820-S		65- UIC -0820-S	2 -1/4"	13.0
8"	2"	Urethane Polypropylene	1000	10-1/8"	65- UPR -0820-S	65- UPB -0820-S	65- UPC -0820-S	2 -1/4"	9.1
8"	2"	Torus	1500	10-1/8"		65- UAB -0821-S		2 -1/4"	12.0
8"	2"	V-Groove Iron	1050	10-1/8"	65- VIR -0820-S		65- VIC -0820-S	2 -1/4"	16.0