

# Railwrap

Insulation for the Railcar Industry <sup>®</sup>

Distribution International's Railwrap division provides high temperature thermal insulation designed to withstand fire exposure as mandated by DOT regulations for tank cars. Whether a tank car is new, refurbished, or needs to be retrofitted, we supply the required insulation to meet project needs. Centrally located, our facility offers rapid turnaround, fabrication, and is stocked to meet installation demands. Fire containment and rail safety is our priority; all Railwrap products meet 49 CFR 179.18 specifications.

**Ceramic Blanket**



**Combo Roll**

U.S. Patent No. 9,174,418



**Reinforced Ceramic Fiber**



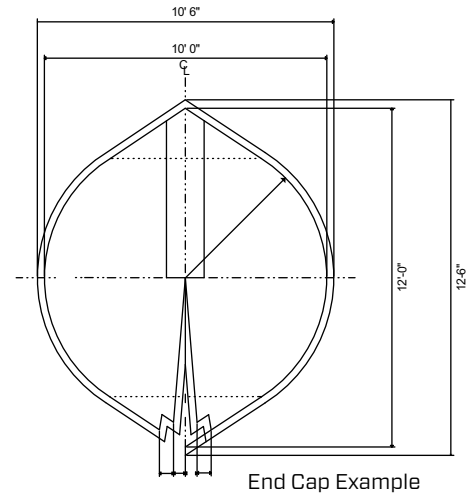
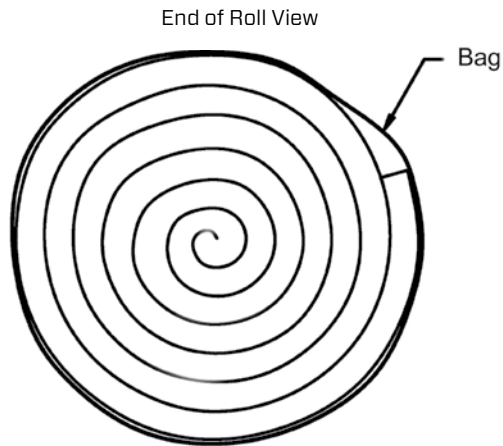
**End Cap and Repair Kits**



\*ceramic blanket and combo rolls are available scroll rolled to simplify installation

# Railwrap

Insulation for the Railcar Industry



- Dual layered fiberglass and ceramic blanket
- Combo rolls and reinforced Single Rolls are reinforced with a netting to prevent material from heat sagging inside shell
- Common dimensions are:
  - 31'L x 50"W with 4½" thickness
  - 34'L x 50"W with 4½" thickness

- Affixed fiberglass and ceramic blanket
- Easy installation
- Patch/repair kits available
- Common dimensions are:
  - 10'6"OD of Oval X 4½" thickness
  - 12'6"OD of Oval X 4½" thickness

